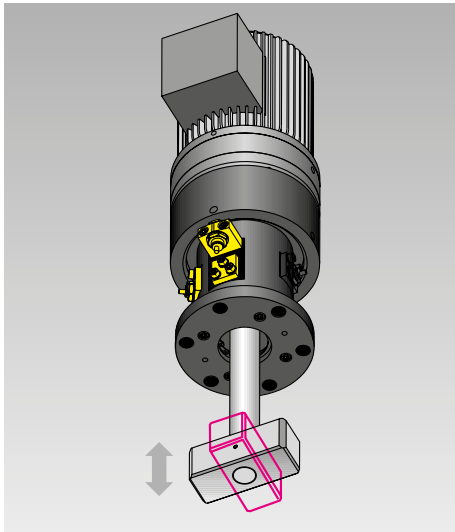




Swivel and Pull Clamps

electro-mechanical, self-locking, with position monitoring, clamping force 70, 120 and 160 kN, clamping stroke up to 15 mm



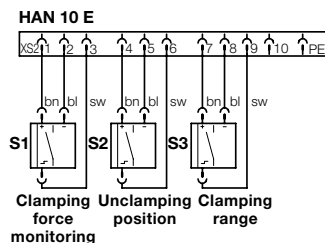
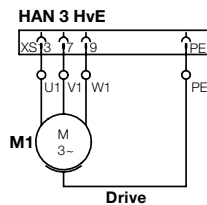
Advantages

- High adaptability to varying clamping edge heights (clamping stroke up to 15 mm)
- Variable tie rod length
- High operational safety by position monitoring and automatic motion sequence
- Central operation of all clamping elements
- Compact and sturdy design
- Resistant to high mechanical loads
- Shock-resistant up to a max. ram acceleration of 12 g
- Suitable for retrofit and for installation in original equipment

Application

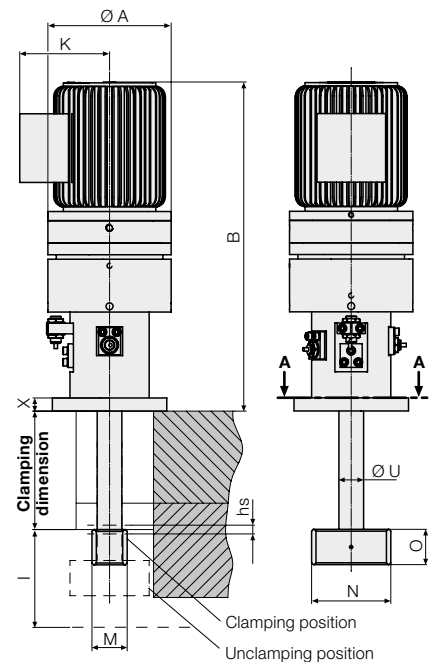
- Automatic clamping of dies
- on the press ram
 - on blank holders
 - at environmental temperatures up to max. 70 °C

Terminal connections

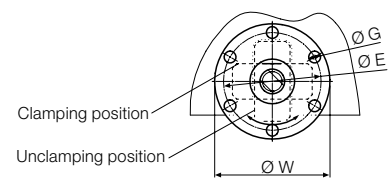


Description

The rotation of the motor is converted into a swivelling movement and a stroke of the tie rod by the flexspline gear and the lead screw. For clamping, the tie rod is swivelled by 90°, starting at the unclamping position, and pulled towards the clamping position. The clamping force and the clamping and unclamping positions are monitored by inductive proximity switches. The clamping force is maintained by self-locking.



Section A-A



Technical data

| | | 70 | 120 | 160 |
|-----------------------|-------------|------------------|------------------|------------------|
| Clamping force | [kN] | 70 | 120 | 160 |
| Max. static force | [kN] | 110 | 200 | 300 |
| Clamping speed | [mm/s] | 3.8 | 5.7 | 4.1 |
| Motor voltage | [V/Hz] | 400/50 | 400/50 | 400/50 |
| Motor rating | [kW] | 0.55 | 1.1 | 1.1 |
| Nominal current motor | [A] | 2.1 | 3.55 | 3.55 |
| A | [mm] | 140 | 160 | 195 |
| B | [mm] | 374 | 441 | 500 |
| E | [mm] | 110 | 140 | 160 |
| G | [mm] | 13.5 | 13.5 | 13.5 |
| Clamping stroke hs | [mm] | 10 | 10 | 15 |
| Swivelling stroke | [mm] | 25 | 30 | 40 |
| Installation space l | [mm] | 90 | 115 | 135 |
| K | [mm] | 102.0 | 112.5 | 112.5 |
| M | [mm] | 40 | 50 | 60 |
| N | [mm] | 90 | 90 | 90 |
| O | [mm] | 40 | 60 | 65 |
| U | [mm] | 28 | 40 | 40 |
| W | [mm] | 130 | 160 | 180 |
| X | [mm] | 15 | 20 | 20 |
| Part no. | | 826430101 | 826450101 | 826460101 |

Please specify the clamping dimension when ordering.

Other T-slots, clamping dimensions, clamping forces and motor voltages are available on request.

Application example



Electro-mechanical swivel and pull clamps mounted on a double-column press.