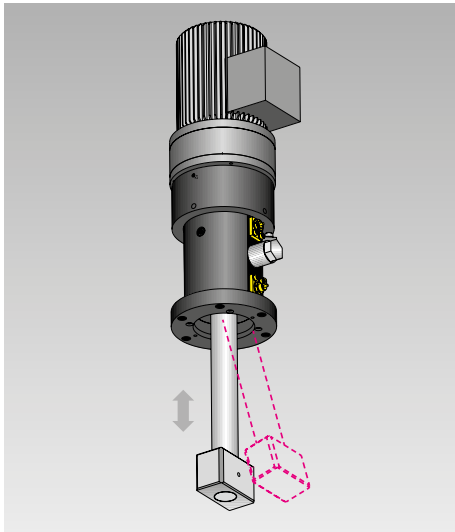




**Swing Clamps**

electro-mechanical, with position monitoring  
clamping force 70, 120 and 160 kN, clamping stroke up to 12 mm



**Advantages**

- High adaptability to varying clamping edge heights (clamping stroke up to 12 mm)
- Variable tie rod length
- High operational safety by position monitoring and automatic motion sequence
- Central operation of all clamping elements
- Compact and sturdy design
- Resistant to high mechanical loads
- Shock-resistant up to a max. ram acceleration of 12 g
- Suitable for retrofit and for installation in original equipment

**Application**

Electro-mechanical swing clamps are suitable for automatic clamping of dies on press rams and blank holders.

The use is possible at ambient temperatures up to a maximum of 70 °C.

**Description**

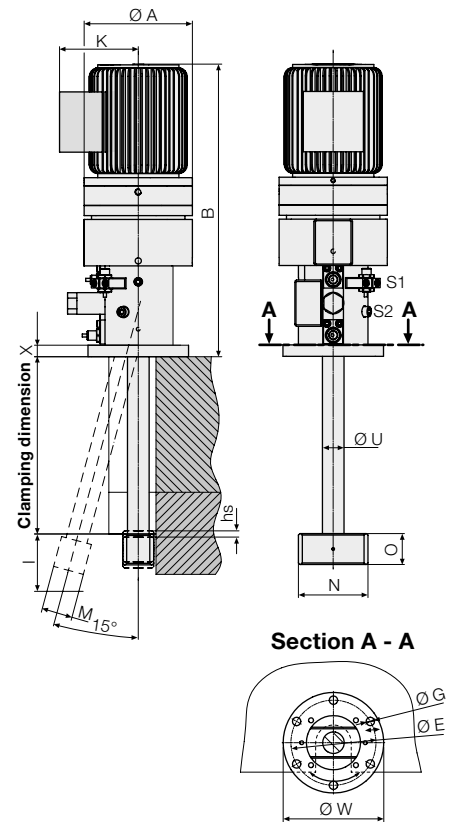
The rotation of the motor is converted into a swinging movement and a stroke of the tie rod by the flexspline gear, the lead screw and the control pin.

The tie rod swings out by max. 15°.

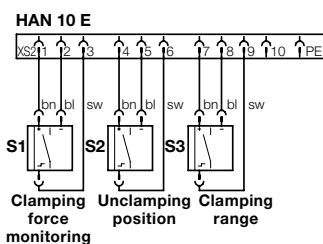
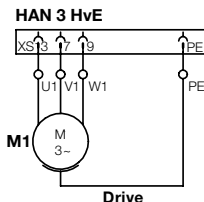
The clamping force is transmitted to the clamping point in the axial direction of the tie rod.

The clamping force and the clamping and unclamping positions are monitored by inductive proximity switches.

The clamping force is maintained by self-locking.



**Terminal connections**



**Application example**



Electro-mechanical swing clamps mounted on a double-column press.

**Technical data**

Clamping force	[kN]	70	120	160
Max. static force	[kN]	110	200	300
Clamping speed	[mm/s]	3.8	5.7	4.1
Motor voltage	[V/Hz]	400/50	400/50	400/50
Motor rating	[kW]	0.55	1.1	1.1
Nominal current motor	[A]	2.1	3.55	3.55
A	[mm]	140	160	195
B	[mm]	409	522	602
E	[mm]	110	140	160
G	[mm]	11.0	13.5	13.5
Clamping stroke h <sub>s</sub>	[mm]	11	12	12
Swing stroke	[mm]	8.0	10.5	13.0
Installation space l	[mm]	85	120	125
K	[mm]	102.0	112.5	112.5
M	[mm]	40	50	60
N	[mm]	90	90	90
O	[mm]	40	60	65
U	[mm]	28	40	40
W	[mm]	130	160	180
X	[mm]	42	57	65
<b>Part no.</b>		<b>826530101</b>	<b>826550101</b>	<b>826560101</b>

**Please specify the clamping dimension when ordering.**

Other clamping dimensions, clamping forces and motor voltages are available on request.