

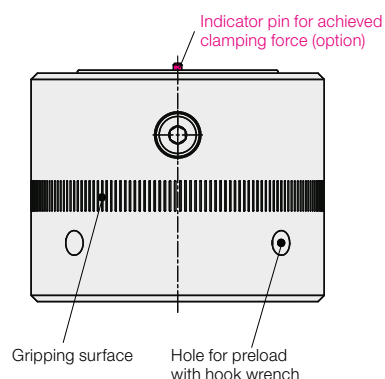


Clamping Nut, Hydro-Mechanical
with through-hole thread and optional clamping force display



Advantages

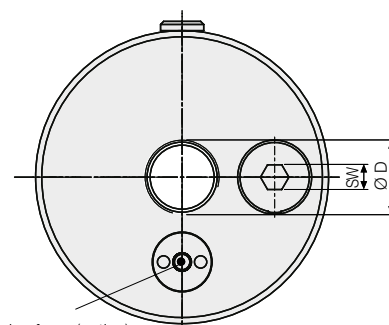
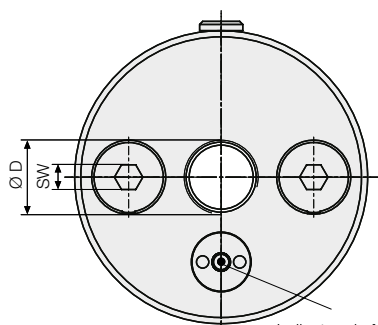
- Temperature resistance up to 120 °C
- Safe clamping with visual clamping force monitoring (as an option)
- High clamping force with low torque
- Easy to retrofit
- Clamping nut with through-hole thread, therefore high adaptability to varying heights of clamping edges and tolerances
- No need for adaptation of the tie rod length
- Easy clamping and unclamping by hand
- Maintenance free
- Maximum force density in the smallest space



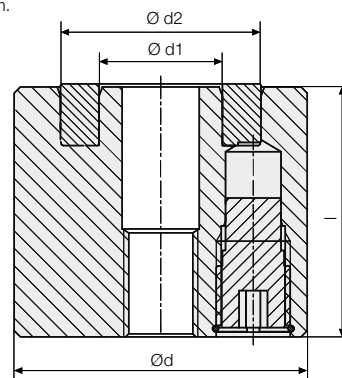
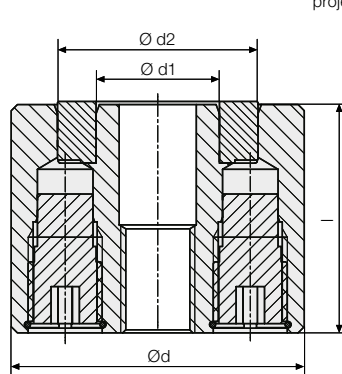
Clamping nut

with two tightening screws

with one tightening screw



Indicator pin for achieved clamping force (option)
When the nominal clamping force is achieved, projection of 2.5 mm.



Application

- Clamping and locking of dies on press bed and ram
- When highest clamping force is required in the smallest possible space
- If no hydraulic power unit is available

Description

Following manual positioning of the clamping nut against the clamping edge, the integral hydraulic cushion is preloaded by turning the hexagon socket. A low torque is transmitted to a high clamping force.

In the case of versions without clamping force monitoring, use a torque wrench to ensure safe and defined build-up of the clamping force.

In the case of versions with clamping force monitoring, the clamping force indicator pin will project by approx. 2.5 mm when the clamping force is reached.

Admissible temperature difference ± 20 °C

Temperature resistance up to max. 120 °C.

Technical data

Clamping force	[kN]	60	100	150	60	100
Max. stroke*	[mm]	2	2	2	2	2
Tightening torque	[Nm]	9	30	40	9	30
D	[mm]	M 20	M 24	M 30	M 20	M 24
d	[mm]	70	95	112	70	95
d1	[mm]	30	40	50	30	40
d2	[mm]	50	65	80	50	65
SW	[mm]	8	8	10	8	8
l	[mm]	71	75	90	87	91
Weight	[kg]	2.0	3.7	6.1	2.3	4.6
Clamping nut without T-bolt without clamping force display	Part no.	822750001	822760001	822770001	not available	not available
Clamping nut without T-bolt with clamping force display**	Part no.	822750002	822760002	822770002	822750102	822760102

* Stroke at maximum adjustment of tightening screws. Before activating the tightening screws preload nut with hook wrench.
** Allen key is included in the delivery, torque wrench is not required.

Dimensions Technical data

Accessories

T-bolt, separate

For T-slot	[mm]	22	28	36
Thread		M20	M24	M30
Length	[mm]	200	250	250
Property class		8.8	8.8	8.8
Part no.		5700023	5700024	5700048

Parking station during die change

Bracket mounted with spacer bars (without connecting block)

Part no. **827532230** **827532830** **827533630**

T-slot width k	[mm]	22	28	36
a	[mm]	72	85	90

Bracket, separate **Part no.** **2753220** **2753280** **2753360**

Special designs on request

