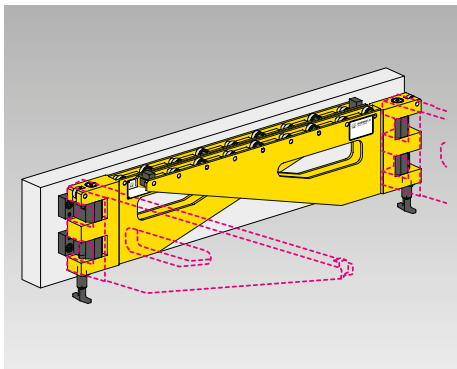




Carrying consoles, swivelling to the left and right for easy and efficient die change on the press bed load per pair of 10 to 60 kN



Advantages

- Safe handling of heavy dies with ease
- Less downtime by easy and efficient die change
- High-quality, shock-resistant coating
- High load
- Low space requirement due to swivelling carrying consoles

Application

Carrying consoles allow a safe, effort and time-saving change or transport of heavy dies.

Description

The carrying consoles are hung in the hooks on the die changing side of the press. The hooks are supplied with the consoles. The consoles are used as a pair. Their size must be selected to suit the highest die weight.

The die is loaded onto the consoles using a crane or a forklift truck. The carrying rollers consist of high-strength hardened needle bearings. The end stop can be bypassed in one direction.

The surface is provided with a shock-resistant coating in RAL1004, golden yellow.

Swivelling carrying consoles are supplied in pairs with pre-mounted holders, ready for connection.

Special designs and double-swivel carrying consoles are available on request.

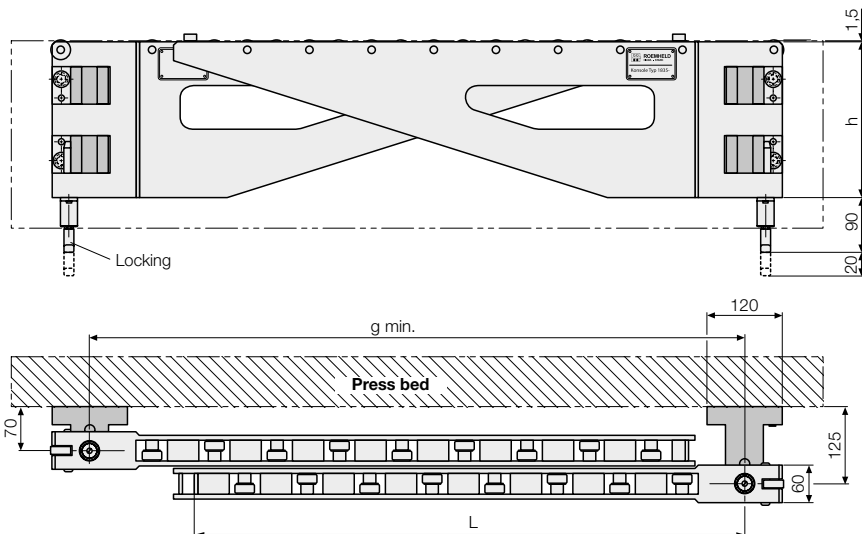
Delivery

- 2 carrying consoles (left and right side)
- 4 holders (pre-mounted)

Application example

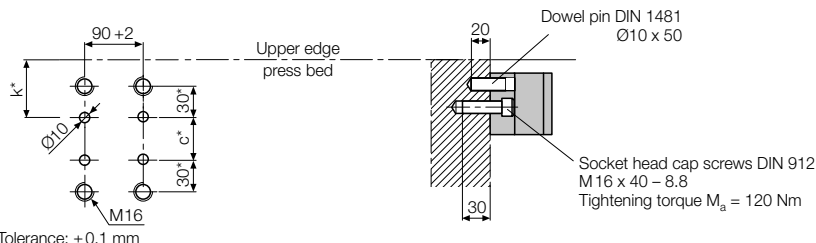


Swivelling carrying consoles on a press



The carrying consoles can be swivelled to the left and right

Hole pattern for holders



* Tolerance: ±0.1 mm

Technical data

Load (pair) [kN]	Support length L [mm]	Dimensions [mm]				Weight (pair) [kg]	Part no. (pair)
		c ±0.1	g	h	k ±0.1		
10	500	20	550	200	91.5	46	8 1835 1001
10	1000	70	1050	250	91.5	74	8 1835 1002
20	1000	120	1050	300	91.5	85	8 1835 1003
20	1250	170	1300	350	91.5	108	8 1835 1004
40	1000	210	1050	450	121.5	130	8 1835 1105
40	1250	260	1300	500	121.5	160	8 1835 1106
60	1000	310	1050	550	121.5	165	8 1835 1107
60	1250	460	1300	700	121.5	230	8 1835 1108